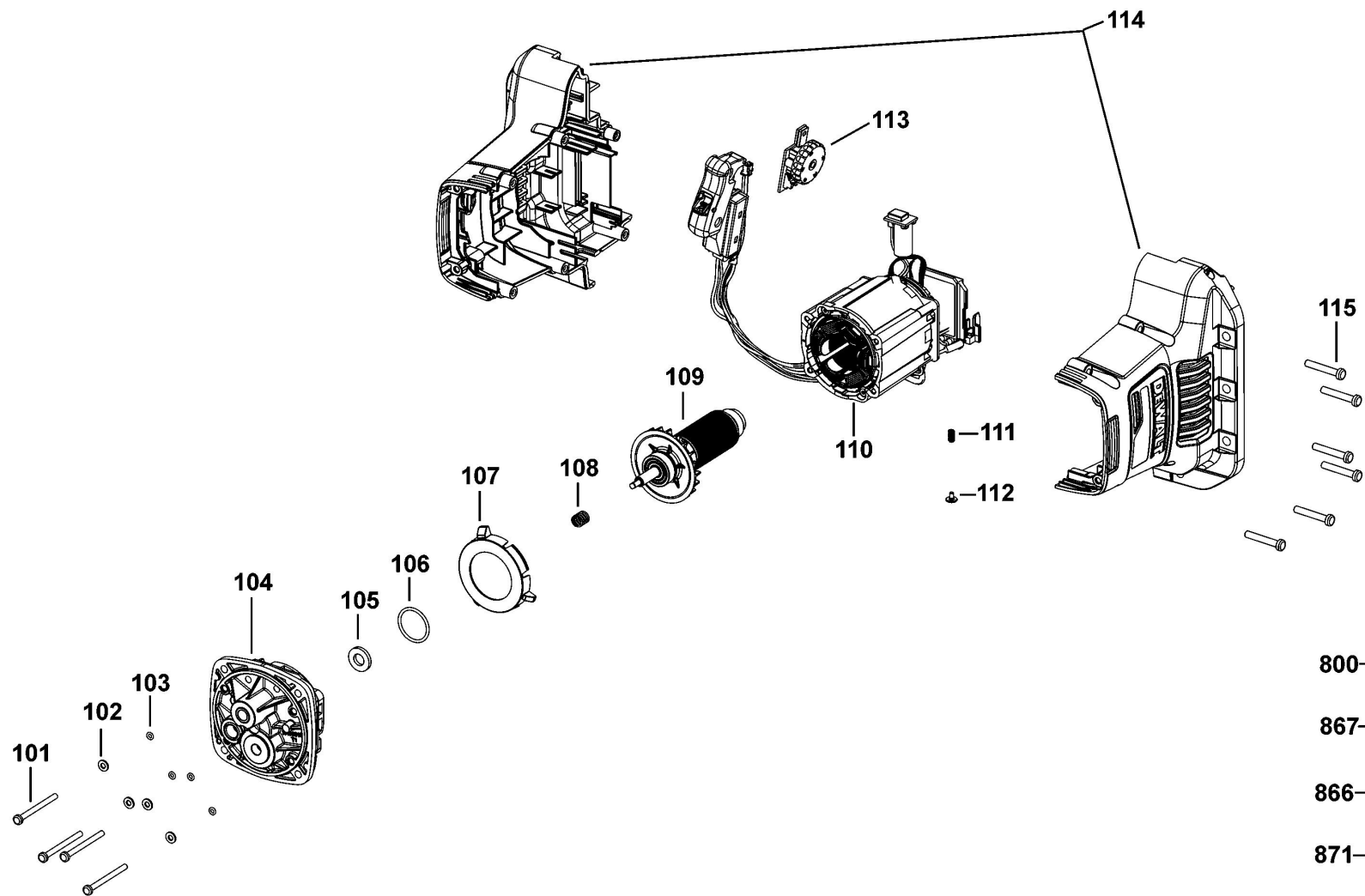




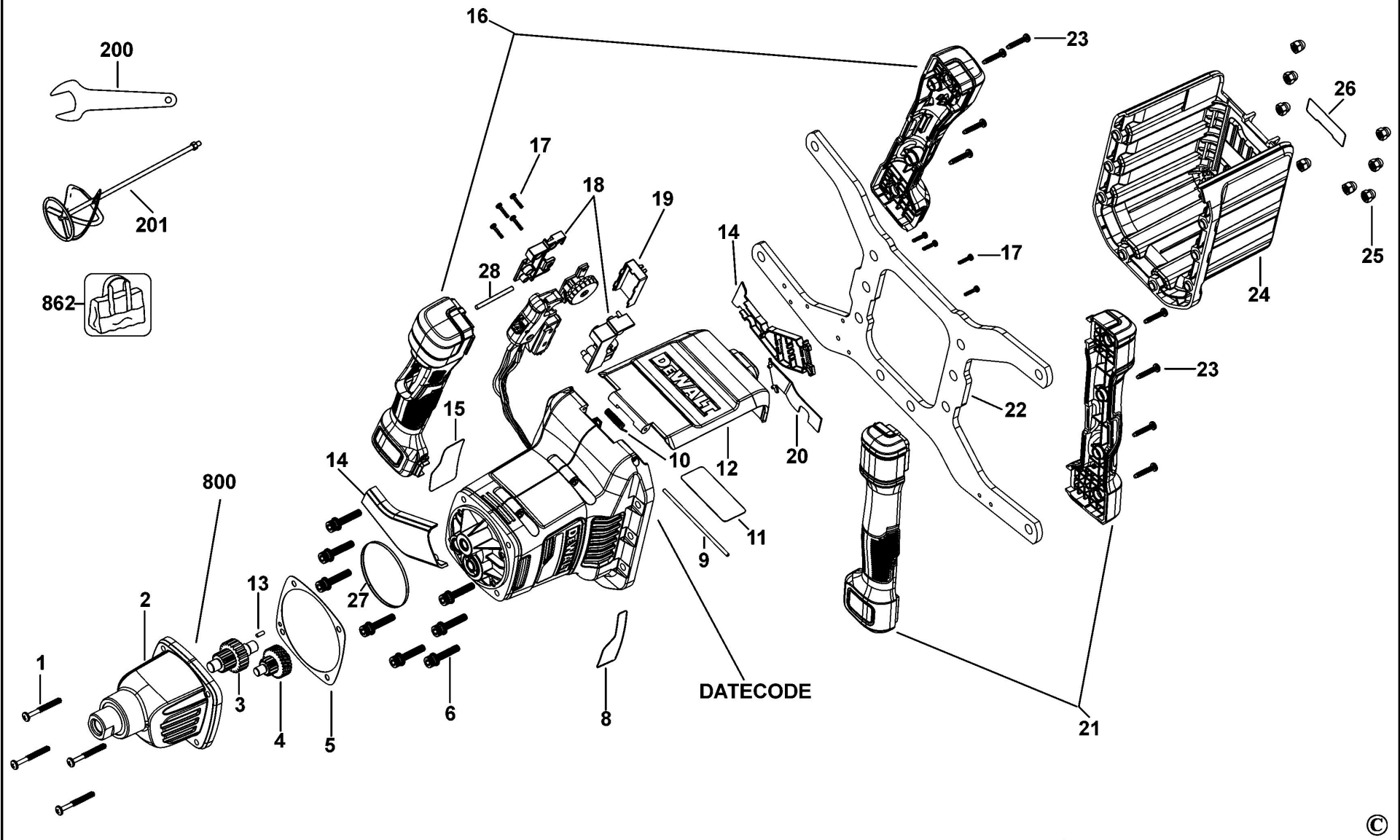


DCD240 Motor MIXER 1



- 800 
- 867 
- 866 
- 871 

DCD240 Main unit MIXER 1



Parts List DCD240 MIXER 1

| Item | Part Number | Qty | Part Description | General Description | Other Info | Repair Inst | Markets |
|------|-------------|-----|------------------|---------------------|------------|-------------|---------|
| 1 | N498448 | 4 | SCREW | | | No | QW |
| 2 | N531233 | 1 | GEARCASE SA | | | No | QW |
| 3 | N530918 | 1 | GEAR SA | | | No | QW |
| 4 | N530904 | 1 | GEAR SA | | | No | QW |
| 5 | N460098 | 1 | GASKET | | | No | QW |
| 6 | N499344 | 8 | SCREW | | | No | QW |
| 8 | N519714 | 1 | LABEL | | | No | QW |
| 9 | N511831 | 1 | PIN | | | No | QW |
| 10 | N511832 | 1 | SPRING TORSION | | | No | QW |
| 11 | N519722 | 1 | LABEL | | | No | QW |
| 12 | N530879 | 1 | BATTERY COVER | | | No | QW |
| 13 | N499441 | 1 | PIN | | | No | QW |
| 14 | N530875 | 1 | COVER | | | No | QW |
| 15 | N519710 | 1 | RATING PLATE | | | No | QW |
| 16 | N463912 | 1 | CLAMSHELL SET | | | No | QW |
| 17 | N498473 | 8 | SCREW | | | No | QW |
| 18 | N530847 | 1 | CLAMSHELL SET | | | No | QW |
| 19 | N510871 | 1 | SWITCH COVER | | | No | QW |
| 20 | N517515 | 1 | SUPPORT | | | No | QW |
| 21 | N463905 | 1 | CLAMSHELL SET | | | No | QW |
| 22 | N455327 | 1 | BASE PLATE | | | No | QW |
| 23 | N498377 | 8 | SCREW | | | No | QW |
| 24 | N501243 | 1 | BATTERY COVER | | | No | QW |
| 25 | N499349 | 8 | NUT M6 | | | No | QW |
| 26 | N519720 | 1 | LABEL | | | No | QW |
| 27 | 403123-01 | 1 | O RING | | | No | QW |
| 28 | N559812 | 1 | PIN | | | No | QW |
| 101 | 330019-08 | 4 | SCREW | | | No | QW |
| 102 | N462739 | 4 | WASHER | | | No | QW |
| 103 | N504446 | 4 | O RING | | | No | QW |
| 104 | N527278 | 1 | ADAPTOR SA | | | No | QW |
| 105 | N493856 | 1 | WASHER FELT | | | No | QW |

Parts List DCD240 MIXER 1

| Item | Part Number | Qty | Part Description | General Description | Other Info | Repair Inst | Markets |
|------|-------------|-----|----------------------------|---------------------|------------|-------------|---------|
| 106 | N493854 | 1 | O RING | | | No | QW |
| 107 | N493809 | 1 | BAFFLE | | | No | QW |
| 108 | N498620 | 1 | SPRING | | | No | QW |
| 109 | N538840 | 1 | ROTOR SA | | | No | QW |
| 110 | N544011 | 1 | STATOR SA | | | No | QW |
| 111 | N461735 | 1 | SPRING | | | No | QW |
| 112 | N122099 | 1 | BLOCK | | | No | QW |
| 113 | N460556 | 1 | WHEEL SPEED | | | No | QW |
| 114 | N527102 | 1 | CLAMSHELL SET | | | No | QW |
| 115 | 330019-45 | 6 | SCREW | | | No | QW |
| 200 | N519648 | 2 | SPANNER | | | No | QW |
| 201 | N519652 | 1 | PADDLE | | | No | QW |
| 800 | 429698-00 | 1 | GREASE | BD-L 2 | 0.07kg | No | QW |
| 862 | N037466 | 1 | BAG | | | No | QW |
| 866 | N491552 | 1 | BATTERY 3 X18V-9.0AH-162WH | DCB547-XJ | DCD240X2 | No | QW |
| 867 | N462141 | 1 | SAFETY CAP | | | No | QW |
| 871 | N473860 | 1 | CHARGER | DCB118-QW | | No | QW |